

QUICK START GUIDE

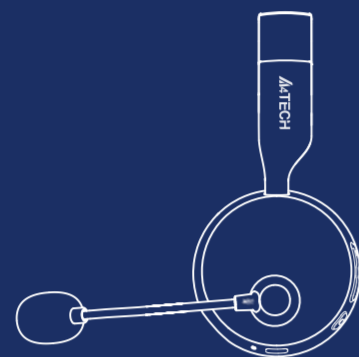


BH230

Bluetooth v5.3

FSTYLER COLLECTION

WHAT'S IN THE BOX



Bluetooth Headset

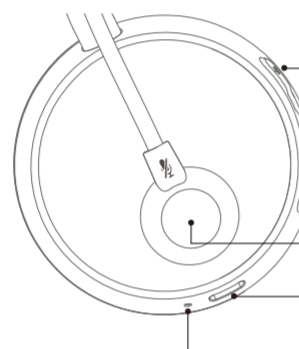


USB Type-C Rechargeable Cable



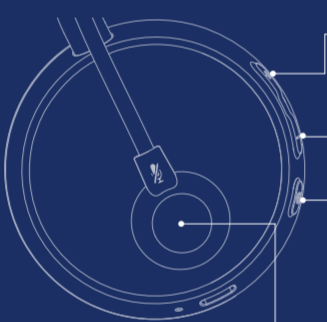
User Manual

KNOW YOUR PRODUCT



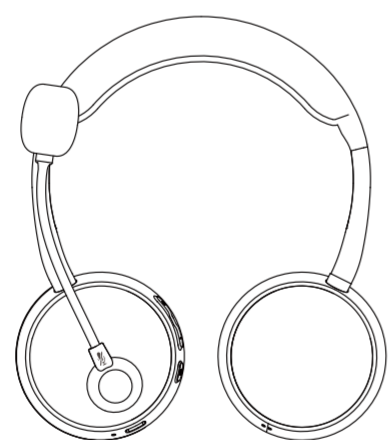
- Volume + / Next Track
- Volume - / Previous Track
- Power Switch
Play/Pause
- Microphone Mute
- Type-C Charging Port
- Indicator Light

CONTROL ON YOUR FINGERS



- Short Press: Volume +
Long Press: Next Track
- Short Press: Volume -
Long Press: Previous Track
- ① Turn On: Long press for 2S to enter pairing mode, the indicator light flashes in red and blue alternately.
② Turn Off: Long press for 5S, the indicator light off.
③ Music Playback: Play/Pause (Short Press)
Incoming Call: Answer/Hang-up (Short Press)
- Microphone Mute: Double-touch to turn on/off the microphone.
① Turn On Mic: Sound "Mute Off"
② Turn Off Mic: Sound "Mute On"

WIDE COMPATIBILITY



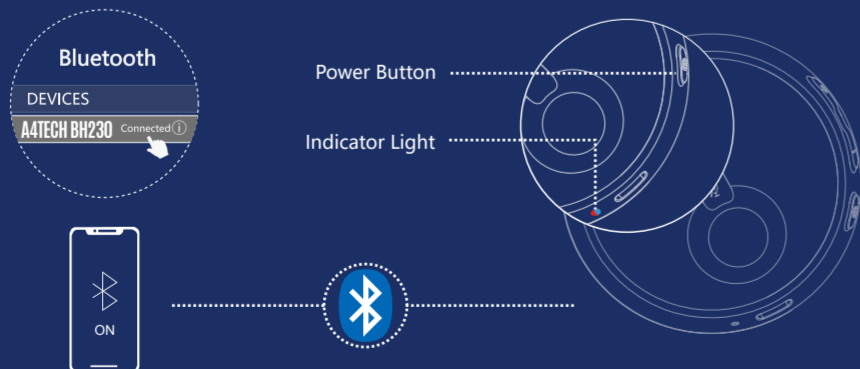
Bluetooth v5.3



Flat Foldable

CONNECTING BLUETOOTH DEVICE

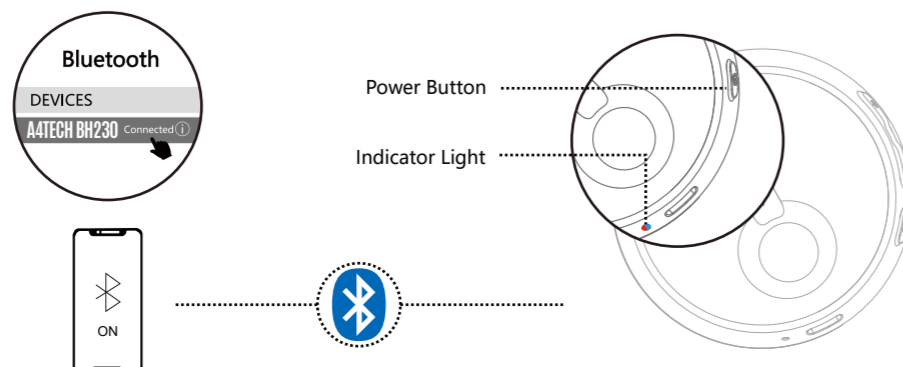
(For The First Time Use)



- ① Long press the power button for 2S, the indicator light flashes in red and blue alternately when pairing.
- ② Choose "A4TECH BH230" from your Bluetooth device.
- ③ The indicator flashes in Blue slowly after the headset is connected.

CONNECTING BLUETOOTH DEVICE

(For The Second Time Use)



The device you connected last time will be remembered. Automatically connect back to the last device after power on.

